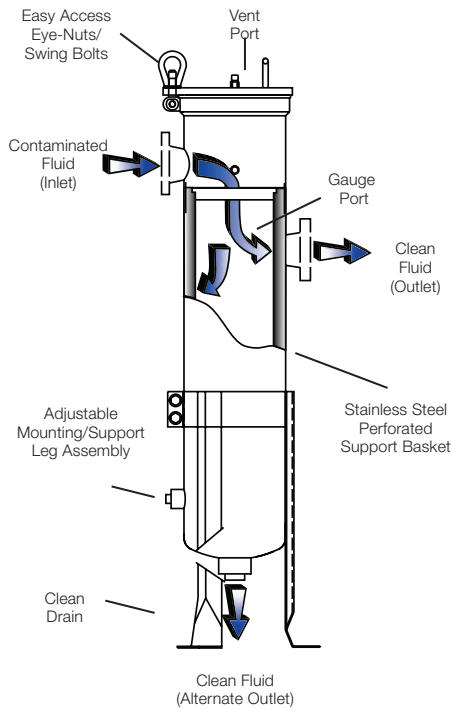


## GBFV8-Series Stainless Steel & Carbon Steel Single Bag Liquid Vessels

GBFV8-Series Stainless Steel & Carbon Steel Bag Vessels are designed to meet and/or exceed nearly all application requirements. The V-ring design provides a positive snap-fit to ensure against bypass and deliver clean effluent.

### Features

- BSP, NPT, or RF Flanged inlet/outlet connections
- Stainless steel or carbon steel construction with epoxy coated exterior support baskets (9/64" standard)
- Adjustable tripod mounting/support leg assemblies
- Easy-access eye-nut/swing-bolt closures with handle
- 304 or 316L stainless steel construction options uni-style (side & bottom outlet) offers increased piping flexibility
- 2" NPT uni-style (side & bottom outlet) offers increased piping flexibility
- Single o-ring seal (Buna-N standard)
- 150 PSI pressure rating standard
- Snap-fit V-ring bag seal design



### Options

- ASME Code Stamp (SS only)
- CE Mark (SS only)
- Electropolished Finish
- Sanitary porting
- Mesh-lined/perforated baskets
- Alternate seal materials
  - EPDM (required for NSF-61)
  - Silicone



NSF Certification applies for use only with drinking water. Only products bearing the NSF Mark on the product, product packaging, and/or documentation shipped with the product are Certified. Product options denoted with asterisk (\*) are not included in the Certification.

### Flow Rate

Model	Bag Size	Basket Depth	EFA (ft <sup>2</sup> )	Max Flow Rate (GPM)*
GBFV815	#1	15	2.0	90
GBFV830	#2	30	4.4	200

\* Is the maximum flow rate recommended through the vessel without a filter bag installed (using water). Any increase in viscosity and/or the installation of filter bags will reduce these flow rates significantly. Please refer to the appropriate bag filter sizing chart or consult with your Global Filter representative when sizing.

### Ordering Information - Carbon Steel

GBFV8	Basket Depth	Inlet/Outlet Size	Inlet/Outlet Style	Outlet	Material	Pressure Rating	Surface Finish
	15 = #1 Size	2 = 2"	B = BSPT	1 = Bottom Outlet	C = Carbon Steel*		EC = Epoxy Coated
	30 = #2 Size	3 = 3"	DN = DIN flange	2 = Opposite Side			
			F = RF Flange	3 = Bottom & Opposite			
			N = FNPT				

### Ordering Information - Stainless Steel

GBFV8	Basket Depth	Inlet/Outlet Size	Inlet/Outlet Style	Outlet	Material	Pressure Rating	Surface Finish	ASME Stamp CE Mark	NSF
	15 = #1 Size	2 = 2"	B = BSPT	1 = Bottom Outlet	4 = 304SS	15 = 150 PSI @ 250°F	EP = Electropolished	Blank = None	Blank = None
	30 = #2 Size	3 = 3"	DN = DIN flange	2 = Opposite Side	6 = 316SS		GB = Glass Bead	U = ASME	MC = NSF-61
			F = RF Flange	3 = Bottom & Opposite				CE Mark (SS only)	
			N = FNPT						
			T = TC Ferrule						

Specific performance can vary widely depending on contaminant type, fluid properties, flow rates and environmental conditions. It is recommended that users conduct thorough qualification testing to assure the product functions as required\*\* MC only applies to the 304 & 316ss and not to the carbon steel construction.

DS\_GBFV8\_190918