

E-SSHD Series

Stainless Steel Filter Cartridge Housings

Manufactured of AISI304 or AISI316 stainless steel. Accept standard 2.25" to 3"OD filter cartridges. These rugged & durable housings can provide decades of service. Avoids the catastrophic failures seen with plastic housings. Suitable for use with potable water and food products. The 1/4"NPT bottom port allows easy draining.

An internal spring-loaded seal plate allows proper sealing of cartridges with varying length. Ring-nut closure provides a secure housing fit-up. EPDM seals are provided as standard. Optional seal materials available.

Features

- Stainless steel construction resists corrosion
- Rugged, and capable of decades of use
- Component materials comply with US FDA and EU regulations for safe use with potable water
- Provides fine economy in a metal housing
- DOE cartridge connection is standard. Options for 222 and 226 types.
- Optional 1/4"NPT gauge ports
- Optional petcock drain valve
- Optional 1"TC and 1"RF flange ports
- Mounting bracket and pin wrench are included

Applications

- Industrial process fluids
- Restaurants & institutions
- Under-sink or whole-house water filtration

Product Quality

- Manufactured within an ISO 9001:2015 certified quality management system
- Certification of Quality document can be provided upon request



Materials of Construction

Head, Sump, Ring Nut:	AISI304 or AISI316 Stainless Steel
Seal Options:	EPDM, NBR, FKM, Silicone

Dimensions

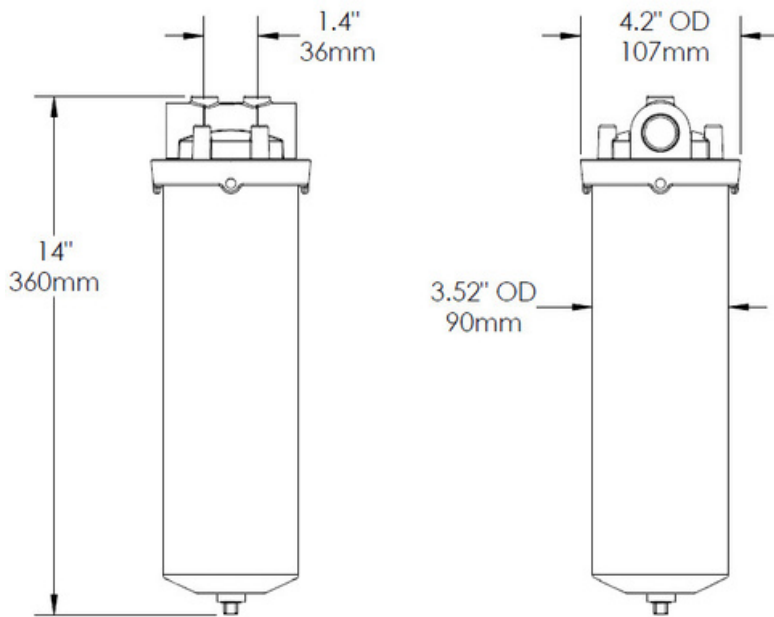
Diameter:	104mm (4.1") 10"
Length:	nominal (14" actual) 20" nominal (24" actual)
Cartridge Fit:	9.75" - 10" for 10" models 19.5" - 20" for 20" models 29.5" - 30" for 30" models

Operating Conditions

Operating Temperature:	99°C (210°F) max. 20 bar (300 psi) for
Operating Pressure:	NPT ported models 10 bar (150 psi) for flanged models
Flow Rate*:	10 GPM for 10" models 15 GPM for 20" models

* Maximum service flow rate advised is dependent on the cartridge selected.

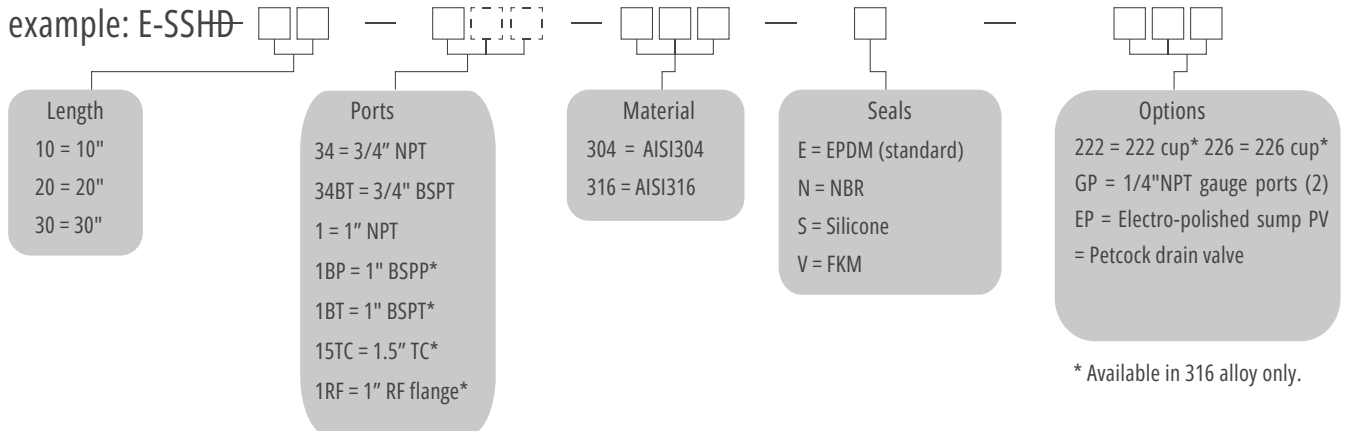
Dimensions



Model #E-SSHD-10-34 shown. For 20" models, add 10" to the OAL. For 30" models, add 20" to the OAL. For models with 222 or 226 cups, add 1.5" to the OAL.

Ordering Information

example: E-SSHD-



Note: Other port sizes and lengths may be available. Please inquire.